

RMSA series

Open Frame Three Phase Motor Starter Autotransformer

Three-Phase Autotransformer for motor starting



Open Frame Three Phase Motor Starter Autotransformer

Voltage of primary:	Up to 600V
Motor HP:	Up to 1050HP
Over Current (25%):	for 15sec
Taps at:	Up on request
Startup:	10sec, 4 starts/hour
Frequency:	50/60Hz
Inrush current:	7In
Winding:	Copper

Electrical

Input voltage: 3ph up to 600V 50/60Hz
Output voltage: 3ph up on request 50/60Hz
Insulation: Reinforced Insulation iron to copper
Transformer Class: H
Insulation: 1,1kv

Applications

The transformers of RMSA series (3 phase Autotransformer) are **designed and manufactured by RUTECH** for use as Soft starting motor.

Advantages

- Compact Design High power performance VA/volume & Low Δt .
- High efficiency low loss special design to reduce Δt , special design for enclosure systems.
- Air Dry varnishing method for corrosion protection and low noise
- Protection Class I (standard) II on request

Environment

Ambient temperature (t_a) 42°C max.
Cooling method: self-cooling
Protection index: IP 00 / Climatic Classes: C1 / Environmental: E1 /
Fire Behavior: F0
Altitude: 1000m

Quality

Rutech Energy Systems production procedures are according to ISO9001 quality standards requirements

Standards / Approvals

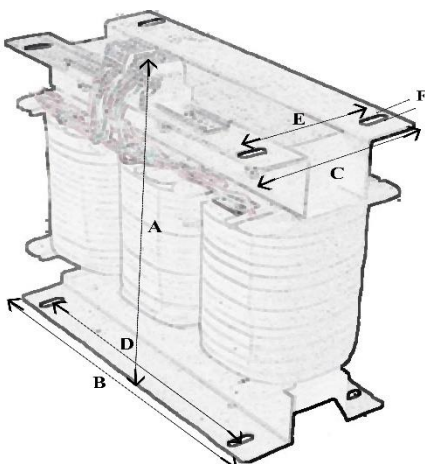
EN 61558-2-4 / EN 61558-2-13 / IEC 60076-1 / CE Mark

Options

2 PTC / Winding

Terminal output input

Rail-mounted terminal block and ring terminals



...feel the Safety...

RUTECH Energy Systems S.A. • Athens-GREECE • Phone +30 2109531260 • info@rutech.gr

RUTECH
TRANSFORMERS